

BRITISH TAPAS

(gvv) Tempura purple sprouting broccoli, vegan garlic aioli, chilli, pomegranate & spring onion	£5	Brew House spicy chicken wings	£6	(GV) Halloumi fries, harissa yoghurt, zaatar, mint	£6.5
(G) Black Shuck Gin & beetroot cured salmon, quinoa crackers, pickled cucumber, rhubarb	£7.5	Pork & thyme Scotch egg, warm apple sauce	£5.5	(VV) Toasted flatbread & dips Harissa yoghurt, vegan garlic aioli, dukkha	£5.5
(VV) Broadbean, spinach & cannellini bean hummus, toasted flatbread	£4.5	(gvv) Cornmeal cauliflower bites, chipotle ketchup	£5.5	(GV) Asparagus, poached egg, hollandaise, smoked almonds	£5.5
		(G) Crab mayo, grapefruit, sweetcorn, ginger salad, soy & honey dressing	£7.5		

◆◆◆◆ BOARDS ◆◆◆◆

We love our food & we love sharing! Why not try one of our assorted boards with your friends? The perfect way to start your evening. Feeling hungry? Go solo...

(V) Foragers	£21
Tempura sprouting broccoli, hummus, cauliflower bites, dukkha, sweet potato fries, crudités, grilled halloumi, beetroot falafel, harissa pulled jackfruit, toasted flatbread, harissa yoghurt, vegan aioli	
Hunters	£23
Pork & thyme scotch egg, warm apple sauce, spicy chicken wings, crab mayo, gluten free haddock fish fingers, sweet potato fries, toasted flatbread, crudités, olives, garlic aioli	

◆◆◆◆ SARNIES ◆◆◆◆

Served on sourdough bread. Available Monday to Saturday until 5pm

(VV) Roasted spring vegetables, kale & sunflower seed pesto	£6
(V) Grilled halloumi, smashed avocado, jalapeños	£6.5
Wensum Ale battered fish fingers, tartare sauce	£7
Lemon & thyme chicken, bacon & egg club	£8.5
Cured salmon, cream cheese, pickled cucumber	£8

◆◆ FROM THE STOVE ◆◆

(G) Wensum Ale battered haddock	£11.5
Smashed peas & samphire, tartare sauce & chips	
(gvv) Beetroot falafel, quinoa, heirloom tomato, roasted golden beetroot salad, lemon vegan yoghurt dressing	£10
+ (V) grilled halloumi £2.5 + lemon & thyme chicken £3.5	
Braised lamb shoulder kebab, sumac, pomegranate & buttermilk, roasted garlic aioli, flatbread with ginger & coriander slaw	£12.5
(VV) Coconut & harissa jackfruit kebab, flatbread, coriander & ginger slaw, gem tomato, vegan aioli & pomegranate molasses	£11
Brew House burgers	£10.5
Beef burger, baby gem, tomato, chips, & Brew House Sauce	
Lemon & thyme chicken burger, mayo, tomato, baby gem & chips	
+ Burger £3 + (V) Cheese £1.5 + Bacon £2.5 + (V) Onion Rings £1.5	
Beef Pie	
Brew house ale braised beef, roasted carrots, kale, mash or chips	£13.5
(V) Smoked mac & cheese, paprika & panko crumbs	£9
+ Broccoli £2 + Bacon £2.5 + Chicken £3.5	
(G) Fillet of sea bream, broad bean & asparagus risotto, rocket, parmesan	£17
Pan fried duck breast, confit bonbon, potato terrine, tender stem broccoli, port jus	£14
(G) 12oz porterhouse steak, champ mash, buttered asparagus, peppercorn sauce	£22

◆◆◆◆ SPECIALS ◆◆◆◆

Please ask a member of our team for today's choice

◆◆◆◆ SIDES ◆◆◆◆

(gvv) Chips	£2.5
Brew House sea salt	
(GV) Sweet potato fries	£3.5
Roasted garlic aioli, roquito chilli	
(V) Smoked mac & cheese	£4
(gvv) Ginger & coriander slaw	£2.5
(V) Onion rings & BBQ sauce	£2.5
(gvv) Mixed salad, shallot, radishes & peppers, sherry vinegar dressing	£3

◆◆◆◆ PUDDINGS ◆◆◆◆

(V) Caramel apple pie, vanilla ice cream	£6
(V) Rhubarb & custard tart, Italian meringue	£7
(G) White chocolate & orange cheesecake, popping candy, dark chocolate ice cream	£6.5
(V) Cherry, almond & chocolate brownie, cherry compote, vanilla ice cream	£6
(gvv) Chocolate & avocado mousse, pineapple & chilli salsa	£5.5
(GV) Norfolk dairy ice cream selection (per scoop)	£1
(V) Selection of cheese, crackers & Brew House chutney	£7.5

❖❖ MOO & BREW ❖❖

Every Monday from 12pm choose one of our burgers with chips & a pint for £10.

❖❖ SUPPER CLUB ❖❖

One Wednesday every month we host our 5 course supper club.

Ask a member of our team for this month's supper club theme & to book your space.

❖❖ QUIZ NIGHT ❖❖

Every Wednesday at 8pm, why not head into our cosy locker room for a pub quiz?

With teams of up to 6ppl there's plenty of space to bring your friends.

Just £1 per person entry fee.
Winning team gets a minimum £30 bar tab

❖❖ PIE NIGHT ❖❖

Every Thursday Night from 5pm is pie night.

Grab one of our homemade pies & a pint for £12.

❖❖ LIVE SKY SPORTS ❖❖

Check out our Facebook page & MatchPint listings for what's showing on the HD big screen in our locker room.

❖❖ TO TAKE HOME ❖❖

We have bottles of our own beer for you to take home. The perfect gift for Father's Day or as a little treat for someone.

❖❖❖ BREWERY TOURS ❖❖❖

Would you like to know more about what goes into our ales?

Then take a tour with Steve, our Brewer, who will talk you through his working day and let you in on a few trade secrets over a beer or two!

Third Pint Taster

20 minute tour with a 1/3 pint tasting tray of our house ales to finish. £6pp

Full Pint Experience

45 min tour, ale tasting tray and a scrumptious board from our menu. £25pp

Brewers Day

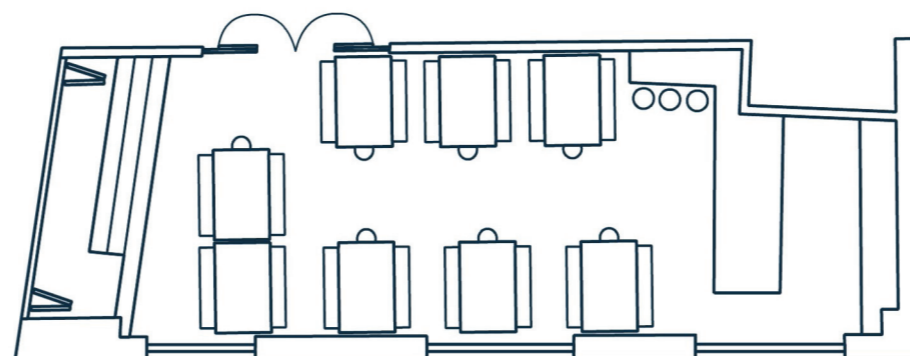
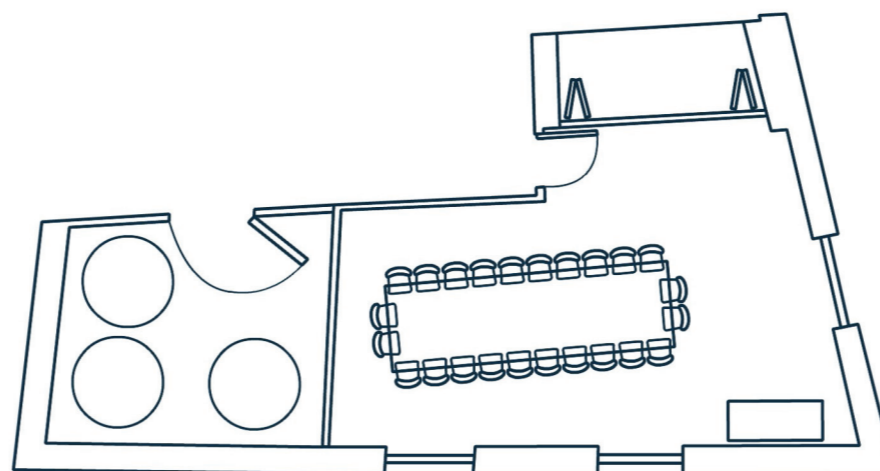
Your chance to become a brewer!

- Mash the grain
- Brewers brunch
- Sparge & add hops
- Lunch including beer tasting tray
- Cool wort and pitch yeast

Take home a 3 bottle pack of your choice of our house beers.

All for £75pp

Tuesdays only. 9.30am 'til 5pm approx.



❖❖❖ FUNCTION ROOMS ❖❖❖

We have two fantastic function rooms situated on our first floor next to our brewery.

We have no room hire fee for our rooms, instead there is a minimum spend policy.

Drop us an email or ask a team member to show you around.

Tank Room

- Table seating for up to 30
- Bose sound system
- DJ point
- 40" TV with HDMI input
- Capacity of up to 40 standing

Locker Room

- Private bar
- Bose sound system
- DJ point & stage for musicians
- Big screen projector
- Capacity of up to 60 standing

More Room?

The Tank room & Locker room can transform into one room to create space for up to 120 guests.